

1721 Eastern Avenue, Suite 15, Sacramento, CA 95864  
 P (916) 481-9017 C (916) 798-4176 www.slurryengineering.com

## Slurry Engineering Flygt Submersible Pump 4-Inch 13 HP Electric



# BIBO BS-2125.320

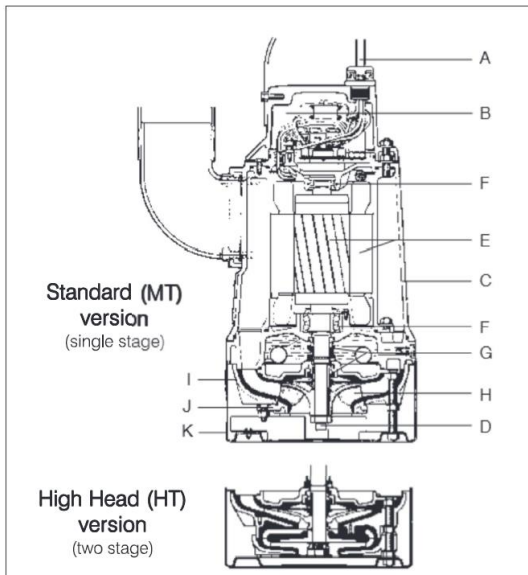
## Portable Dewatering Pump - Cast Iron

Capacity up to 930 GPM, heads up to 240 ft.



### Applications:

Bibo BS-2125 is ideal for fast dewatering of construction sites, tunnels, mines, quarries, cofferdams, caissons, etc. Cast iron body provides protection against mild corrosive pumped liquids (6-13 pH).



### Specifications

- A **Cable.** Standard 16 m (50 ft.) of SubCab cable. Other lengths available.
- B **Junction Chamber.** Cable entry incorporates a strain relief and grommet controlled compression sealing. Between the junction box and stator housing a rubber gland provides additional seal protection of the motor.
- C **Pump Housing.** High strength cast iron ASTM A 48 No. 35B. Static seals are leakproof Nitrile rubber O rings in precision machined grooves, with controlled compression.
- D **Shaft.** Stainless steel ANSI 431.
- E **Motor.** Air filled, NEMA design B with class H (180°C) insulation; 2 pole, 3480 rpm. Shrink-fit to the motor housing. Allows at least 10 starts per hour. Optional built-in thermal sensors for additional motor overload protection.
- F **Bearings.** Upper: single row ball bearing. Lower: double row angular contact ball bearing.
- G **Shaft Seals.** Independent double face seals running in environmentally friendly, FDA approved (Standard #172.878) lubricant. Upper and lower seal: tungsten carbide/ tungsten carbide. Oil quantity: 2.5 pints (1.2 l).
- H **Impeller.** Multivane, open type. Material: high chrome alloyed cast iron ASTM 532.80 Alloy IIIA, hardened for high wear resistance to 60 Rc hardness.
- I **Diffuser.** Protected by polyurethane (Polylife) or Nitrile Rubber liner. Adjustable to maintain pump's hydraulic performance.
- J **Wear Plate.** Protected by polyurethane (Polylife) or Nitrile Rubber liner.
- K **Strainer.** Hot dip galvanized steel. 186 holes 1/4" x 2".

**Fasteners.** Stainless steel ANSI 304.

### Options.

Stainless steel impellers; Stainless steel strainer.

### Approval:

CSA approved to UL Standard #778 and CSA C22.2 #108.

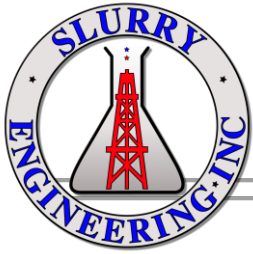


### Controls (not shown).

Manual controls, magnetic starter type, providing short circuit and overload protection, housed in EEMAC3 enclosure. Other enclosure types (EEMAC4, EEMAC12) are optional.

### Accessories.

Tandem connection; Zinc anodes.

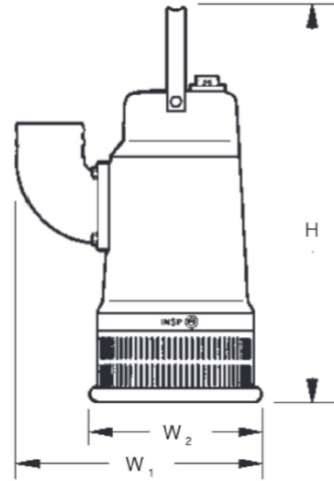
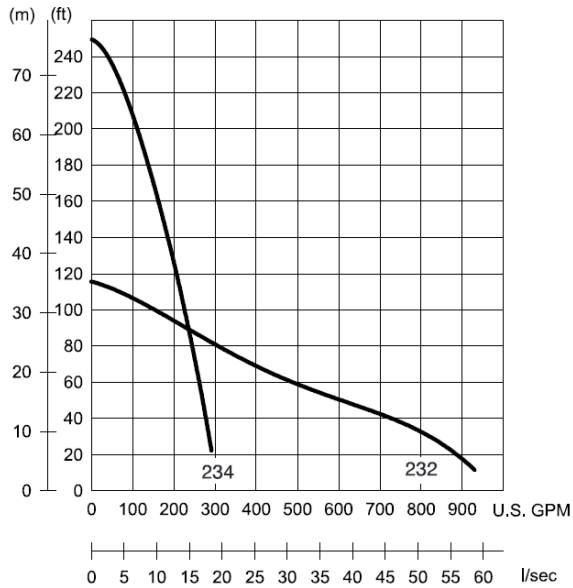


1721 Eastern Avenue, Suite 15, Sacramento, CA 95864  
 P (916) 481-9017 C (916) 798-4176 www.slurryengineering.com

### BIBO BS-2125.320

#### Performance Data

Power Input kW

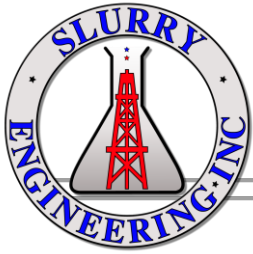


#### Dimensions

Discharge conn.	W <sub>1</sub> inches	W <sub>1</sub> mm	W <sub>2</sub> inches	W <sub>2</sub> mm	H inches	H mm	Weight lbs.	kg
<b>3" High Head Hose</b>	18 <sup>5/16</sup>	465	14	360	32 <sup>5/8</sup>	830	361	164
<b>4" Standard Hose</b>	19	485	14	360	32 <sup>5/8</sup>	830	331	150

VERSION	IMP. CODE	HP	PHASE	VOLTS	FLA	STARTING CURRENT	CABLE SIZE AWG
High Head HT 3"	234	13	3	208	35	283	8/4
				230	32	256	8/4
				460	16	128	12/4
				600	12	85	14/4
Standard MT 4"	232	13	3	208	35	283	8/4
				230	32	256	8/4
				460	16	128	12/4
				600	12	85	14/4

\* Alternate cable for thermal switch connection (not available for 230V)



---

1721 Eastern Avenue, Suite 15, Sacramento, CA 95864  
P (916) 481-9017 C (916) 798-4176 [www.slurryengineering.com](http://www.slurryengineering.com)

---

