

1721 Eastern Avenue, Suite 15, Sacramento, CA 95864
P (916) 481-9017 C (916) 798-4176 www.slurryengineering.com

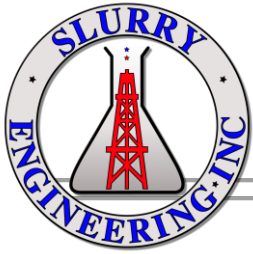
Slurry Engineering Scale System for CB Batching

3000 Gallon Capacity Polytank/30K Scale: Rinstrum R423-K411 Indicator and (3) 10K Group 4 Load Cells installed into custom Slurry Engineering Steel Frame. Digital Input/Outputs for Automatic Set-point Discharge to downstream Mixer. Level control for Automatic Fill.



450 Gallon Capacity Steel Agitator Tank/20K Scale: Rinstrum R423-K411 Indicator and (4) 5K Group 4 Load Cells installed into custom Slurry Engineering Steel Frame. Digital Input/Outputs for Automatic Set-point Discharge to downstream Mixer. Agitator motor 2.2 kw at 230V 3-ph. Level Control for Automatic Fill.



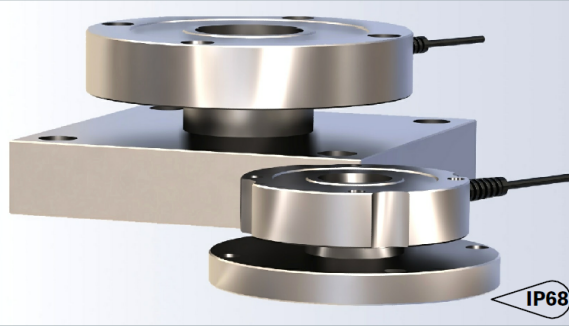


1721 Eastern Avenue, Suite 15, Sacramento, CA 95864
 P (916) 481-9017 C (916) 798-4176 www.slurryengineering.com



weigh modules
5000WM01

The type 5000WM01 is a stainless steel weigh module. This is an innovative, low-profile weigh assembly with built-in uplift restraint and over load protection.



FEATURES

- Capacities from 1klb to 225klb
- Stainless steel construction
- Environmental protection IP68

APPLICATIONS

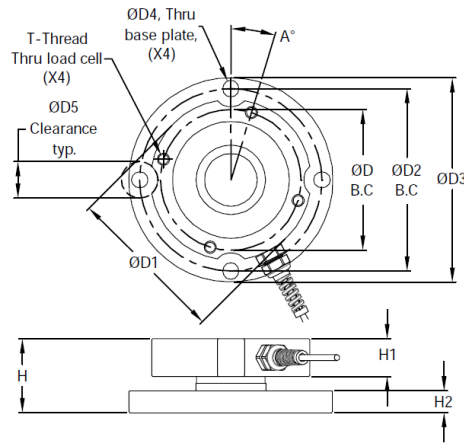
- Tank, bin, and hopper weighing, silo level indication, bulk bag loading and unloading; and batching, mixing and blending applications

OPTIONS

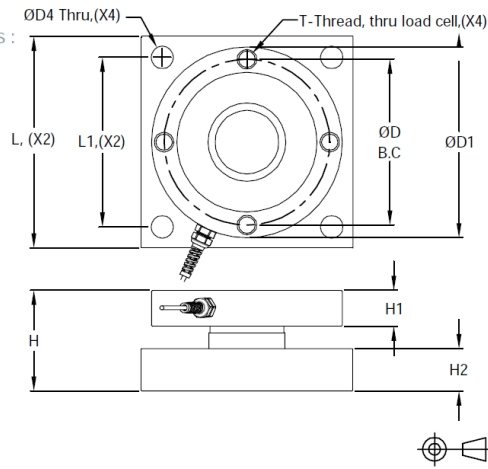
- Top mounting plates (see p.2).

OUTLINE DIMENSIONS

1klb-125 klb capacities :

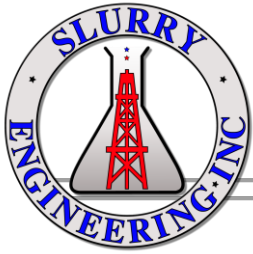


150klb-225 klb capacities :



Group Four Transducers
 22 Deer Park Drive,
 E. Longmeadow, MA 01028
 www.groupfourtransducers.com

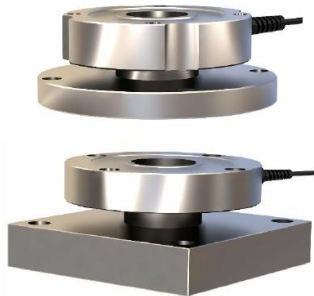
Phone : (800) 419 1444
 Fax : (413) 525 -6182
 sales@group-4.com



1721 Eastern Avenue, Suite 15, Sacramento, CA 95864
 P (916) 481-9017 C (916) 798-4176 www.slurryengineering.com

weigh modules
5000WM01

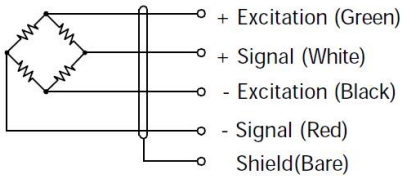
Capacity lbs	H in[mm]	H1 in[mm]	H2 in[mm]	D in[mm]	D1 in[mm]	D2 in[mm]	D3 in[mm]	D4 in[mm]	D5 in[mm]	A	T	L in[mm]	L1 in[mm]
1k-10k	1.37 [34.8]	0.75 [19.1]	0.375 [9.53]	3.000 [76.20]	3.50 [88.9]	3.900 [99.06]	4.50 [114.3]	0.400 [10.16]	0.750 [19.05]	23.00	3/8-16	-	-
20k-50k	2.53 [64.3]	1.30 [33.0]	0.750 [19.05]	4.825 [122.56]	5.50 [139.7]	6.250 [158.75]	7.00 [177.8]	0.563 [14.30]	1.250 [31.75]	17.00	1/2-13	-	-
60k-125k	3.12 [79.2]	1.50 [38.1]	1.000 [25.40]	5.500 [139.70]	6.50 [165.1]	7.000 [177.80]	8.00 [203.2]	0.813 [20.65]	1.750 [44.45]	52.50	3/4-16	-	-
150k-225k	4.75 [120.7]	1.70 [43.2]	2.000 [50.08]	7.825 [198.76]	9.00 [228.6]	-	-	1.060 [26.92]	-	-	1-12	10.00 [254.0]	8.00 [203.2]



SPECIFICATIONS

Model	5000WM01	
Capacities	See table	
Full scale output(FS)	mV/V	3.0
Non-linearity	%FS	≤±0.20
Non- repeatability	%FS	≤±0.05
Operating temperature range	°C	-12... +43
Bridge resistance	Ω	350
Excitation voltage	V(DC/AC)	10... 15
Insulation resistance@50VDC	MΩ	≥5000
Safe overload limit	%FS	150
Cable length	ft	25
Seal type	IP68	
Element material	Stainless steel	

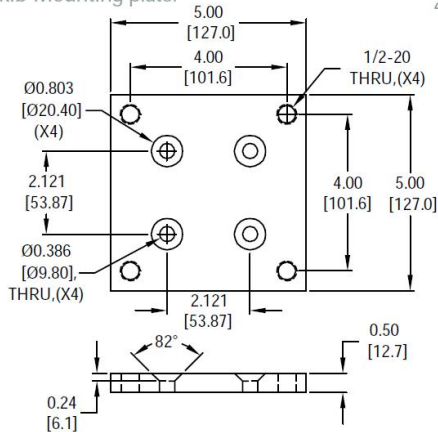
WIRING



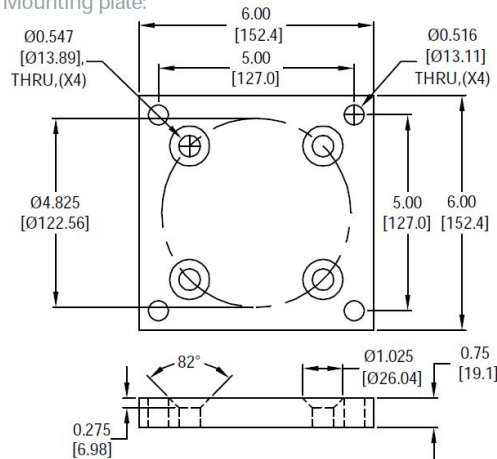
Load cell assembly is provided with 4-conductor heavy duty polyurethane cable.

AVAILABLE ACCESSORIES

- Optional top mounting plates
 1klb-10klb Mounting plate:



- 20klb-50klb Mounting plate:

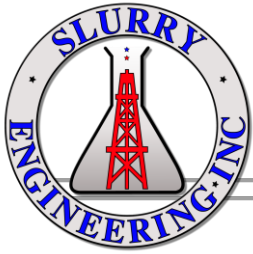


Dimensions and specifications subject to change without notice



Group Four Transducers
 22 Deer Park Drive,
 E. Longmeadow, MA 01028
 www.groupfourtransducers.com

Phone : (800) 419 1444
 Fax : (413) 525 -6182
 sales@group-4.com



1721 Eastern Avenue, Suite 15, Sacramento, CA 95864
P (916) 481-9017 C (916) 798-4176 www.slurryengineering.com

This instrument is a precision digital indicator designed for gain in weight batching applications. It supports up to 32 input/outputs.

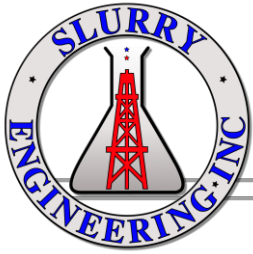
It may be operated from either a DC power source (12 VDC to 24 VDC) or AC power (optional 110 – 240 VAC). There is a soft power on/off function that retains memory of its state. Once an instrument is turned on it will automatically start up again if the external power is interrupted.

The instrument provides zero, tare and recipe on the fixed function keys and supports special functions (eg. start, pause, remote key etc.), via three (3) user definable function keys and external inputs. Operator functions (clock, view, report etc) and editing functions are provided on the alpha/numeric key pad. It is equipped with an NVRAM store to ensure day-to-day operating settings (eg. zero, tare and clock) are retained when power is removed.

The indicator supports optical communications as a standard which allows a temporary isolated communications link to be established with a PC. Software upgrades, the use of computerised setup and calibration can then be done using a PC. The RS-232 communications port can be used for printer driving, connection to a remote display or PC. The RS-485 transmit only communications port can be used for remote displays. There is a built-in clock for date-stamping printed outputs.



Figure 1: Weight Indicator



1721 Eastern Avenue, Suite 15, Sacramento, CA 95864
 P (916) 481-9017 C (916) 798-4176 www.slurryengineering.com

2. Specifications

Performance	
Resolution	Up to 100,000 divisions, minimum of 0.25 μ V/division
Zero Cancellation	+/- 2.0mV/V
Span Adjustment	0.1mV/V to 3.0mV/V
Stability/Drift	Zero: < 0.15 μ V/ $^{\circ}$ C (+ 10ppm of deadload max) Span < 10 ppm/ $^{\circ}$ C, Linearity < 20ppm, Noise < 0.2 μ Vp-p
Excitation	7.4 volts for up to 16 x 350 or 32 x 700 ohm load cells (4-wire or 6-wire plus shield) Maximum total load cell resistance: 1,000 ohms
A/D Type	24bit Sigma Delta with \pm 8,388,608 internal counts
Operating Environment	Temperature: -10 to +50 $^{\circ}$ C ambient Humidity: <90% non-condensing Storage: -20 to +50 $^{\circ}$ C ambient IP65 when panel mounted or with rear boot (otherwise IP40)
Case Materials	ABS, Silicon Rubber, Nylon, Acrylic (no halogen used)
Packing Weights	Basic Indicator: 0.7kg
Digital	
Display	LCD with 4 alpha-numeric displays and LED backlighting: Primary display: 6 x 28.4mm high digits with units and annunciators 2 nd display: 9 x 17.6 mm digits with units 3 rd display: 8 x 6.1 mm digits 4 th display: 4 x 7.6 mm digits
Setup and Calibration	Full digital with visual prompting in plain messages
Digital Filter	Sliding window average from 0.1 to 30.0 seconds
Zero Range	Adjustable from +/- 2% to +/- 20% of full capacity
Power Input	
Standard Power Input	12 to 24VDC (15 VA max) - ON/OFF key with memory feature
Variants	
M4101 AC	AC power supply Input: 110/240VAC 50/60Hz Output: 12VDC 15VA
M4102 Battery	2.5AH NiMH rechargeable battery pack Charger Input: 110/240VAC 50/60Hz Output: 12VDC
Features	
Optical Data Communications	Magnetically coupled optical communications support. Optional conversion cable connects directly to a standard USB or RS-232 port.
Correction	10 point linearity correction
Serial Outputs	RS-232 serial port for remote display, network or printer supports. RS-485 transmit only for remote display Transmission rate: 1200, 2400, 4800, 9600, 19200 or 57600 baud
3 assignable function keys	Printing, start, pause and abort batching
Battery Backed Clock Calendar	Battery life 10 years minimum
Approvals	FCC, CE, C-tick, Check trade approvals